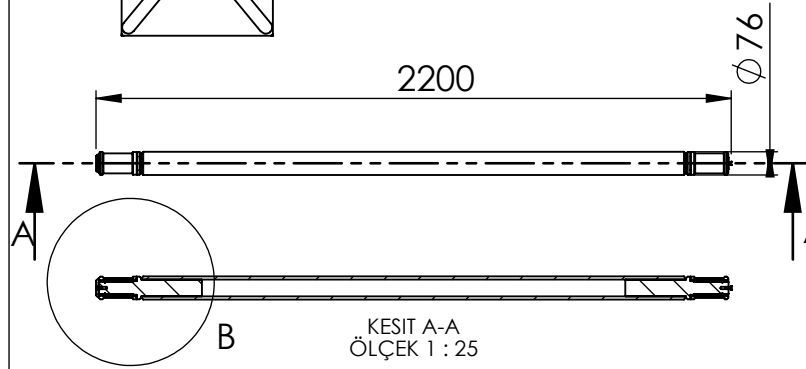
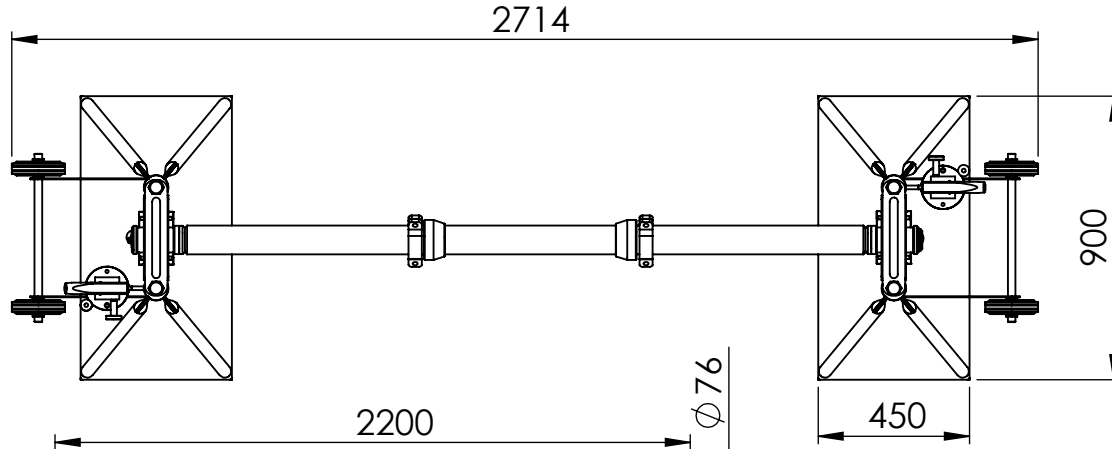
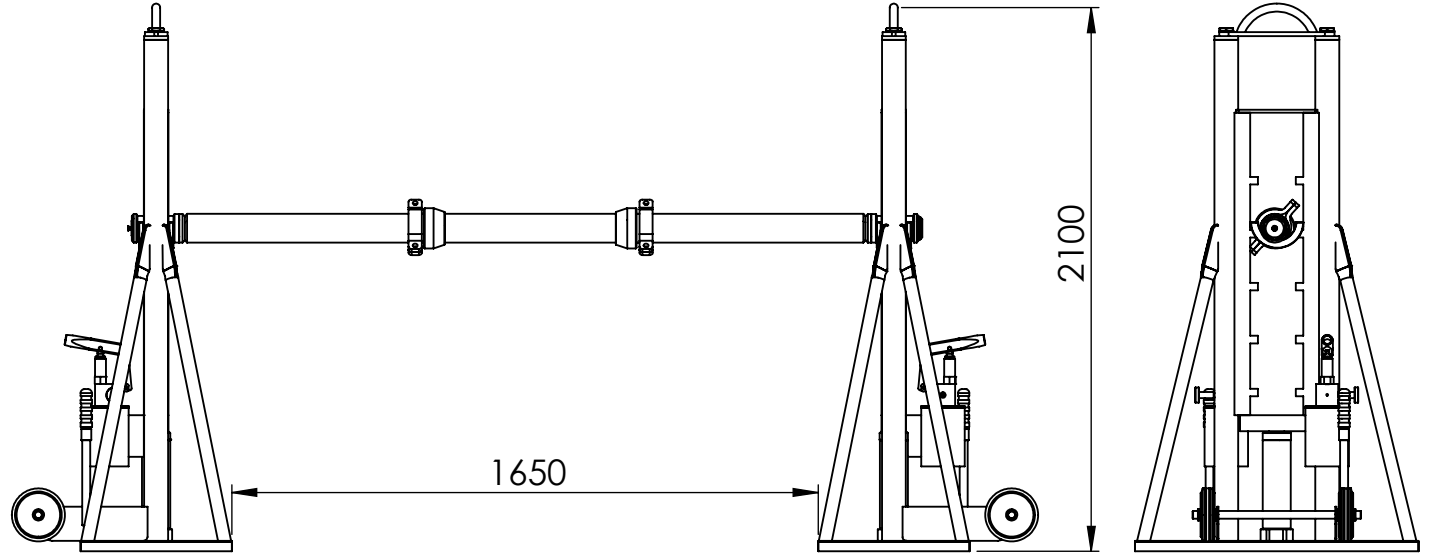


## TEKNİK ÖZELLİKLER

Loading Capacity	: 10000 kg
Weight	: 220 kg/pair
Maks.Drum Width	: 1600 mm
Drum Diameter	: 1100-3400 mm
Spindle Diameter	: 76 mm
Paint	: Epoksi +Akrilik Ral 1007

- High strength steel construction
- Hydraulic hand pump
- Easy transport with wheel
- CE Certificate
- Drum shaft with bearing
- Drum fixing equipment



DETAY B  
ÖLÇEK 2 : 15



TEMHA MAKİNE ELEKTRİK  
MÜH.PRO.SAN. ve TİC.LTD.ŞTİ

RESİM NO.

DJ.0402 Hydraulic Drum Jack

A4

ÖLÇEK:1:50

SAYFA 1 / 1

